


Request From: _____
Company Name: _____
Phone Number: _____
Email: _____

Project Name: _____
Project Address: _____
Ship to Address: _____
Ship to: Project Shop New Construction


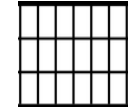
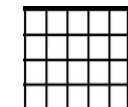
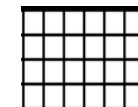


Curb Inside Dimensions are needed for both Internal Safety Screens and Burglar Bars. For accuracy please remove the existing skylight to measure the inside of the curb dimensions, and also ensure the existing curb is structurally sound.



Always use proper safety precautions when working on the roof.

INTERNAL SAFETY SCREEN mounts to top of curb - 4" x 4" grid, 3/16" round rod
Quantity: _____
6" x 6" grid, 3/16" round rod
Existing Curb Inside Dimensions: _____ X _____
Please note: Internal safety screens are not permitted with melt-out smoke vents.

BURGLAR BAR mounts to top of curb - 1/2" Rod, select spacing option below
Quantity: _____
Existing Curb Inside Dimensions: _____ X _____
Bar Layout Options:
 Option 1 Option 2 Option 3 Option 4

			
---	---	---	---

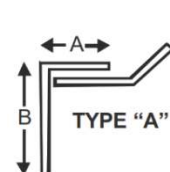
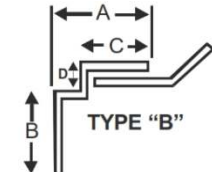
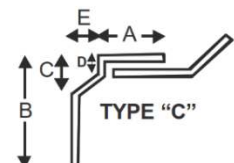
Option 1: 5" Parallel Grid
Option 2: 5" x 16" Grid
Option 3: 8" x 8" Grid
Option 4: 5" x 5" Grid

Approximate Dome Height

Measure skylight frame
DO NOT MEASURE THE CURB

Skylight Frame Type:

TYPE "A"
TYPE "B"
TYPE "C"

EXTERNAL SAFETY SCREEN mounts to skylight frame - 4" x 4" grid, 3/16" round rod
Quantity: _____
Skylight Frame Outside Dimensions: _____ X _____
Approximate Dome Height: _____
Skylight Frame Type (see drawing)
 Type A – Dims: A _____ B _____
 Type B – Dims: A _____ B _____ C _____ D _____
 Type C – Dims: A _____ B _____ C _____ D _____ E _____
 Metal Roof – Flush Mount – see Metal Roof RFQ worksheet
Skylight Brand which external screen is going over:
 Unknown Sunoptics Kingspan Velux _____
Please note: External safety screens are not permitted with operable smoke vents.