

THE VELUX DYNAMIC DOME

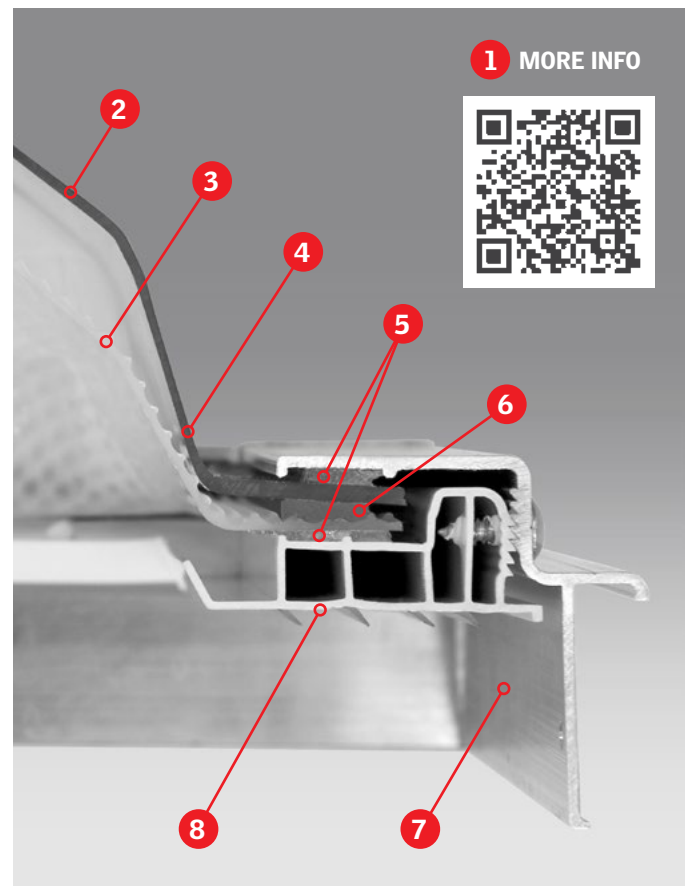
A Revolution in Commercial Skylights



The VELUX Dynamic Dome has once again revolutionized the commercial skylight market with new features that emphasize our commitment to environmental sustainability and providing quality daylighting products.

New and Upgraded Features

- 1 Sustainability** – VELUX is continuously seeking to minimize our Carbon footprint which includes developing smart and energy saving products. The new design of a fully assembled 5'x6' Dynamic Dome sees a product carbon footprint reduction of 74%.
- 2 Smooth Outer Dome** – While keeping to its uncompromising strength and revolutionary engineering, the new prismatic outer dome design of the Dynamic Dome transmits 20% more light into spaces below.
- 3 White Prismatic Inner Dome** – The smooth inner dome achieves 100% light diffusion and is available for larger size needs or to meet HVHZ code requirements.
- 4 Sidewall of Dome** – Masterfully designed to match the angles of the sun in the morning and afternoon hours (lower light periods) to improve light transmittance.
- 5 Impenetrable Water Protection** – The combination of two layers of InstantGlaze sealant ensures a fully watertight design.
- 6 Glazing Spacer** - Clear evacuation path for any moisture that may form in between the domes.
- 7 One-Piece Aluminum Frame** – Improved frame strength and thermal performance from previous two-piece frame design.
- 8 PVC Thermal Break** – The unique two-way function of the PVC inner frame provides a 100% thermal break, as well as a water management system, evacuating all moisture to the exterior.
 - » Dry Installation - no curb sealants or tape needed
 - » Combined Wicking System: Absorbs moisture from the inner frame to evacuate to the exterior



Questions? Contact Logistics Lighting - Sales@LogisticsLighting.com or 307-633-9696 - Toll-Free 844-455-7283

THE VELUX DYNAMIC DOME

Sizes for Dynamic Dome Skylights

Sizes	24" width			36" width			48" width			60" width			72" width		
	size code	outside curb	max clearance	size code	outside curb	max clearance	size code	outside curb	max clearance	size code	outside curb	max clearance	size code	outside curb	max clearance
36" length				3636	39" x 39"	40 ¼" x 40 ¼"									
48" length	2448	27" x 51"	28 ¼" x 52 ¼"				4848	51" x 51"	52 ¼" x 52 ¼"						
60" length				3660	39" x 63"	40 ¼" x 64 ¼"	4860	51" x 63"	52 ¼" x 64 ¼"	6060	63" x 63"	64 ¼" x 64 ¼"			
72" length				3672	39" x 75"	40 ¼" x 76 ¼"	4872	51" x 75"	52 ¼" x 76 ¼"	6072	63" x 75"	64 ¼" x 76 ¼"	7272	75" x 75"	76 ¼" x 76 ¼"
83" length							4783	50" x 86"	51 ¼" x 87 ¼"						
96" length	2496	27" x 99"	28 ¼" x 100 ¼"	3696	39" x 99"	40 ¼" x 100 ¼"	4896	51" x 99"	52 ¼" x 100 ¼"	6096	63" x 99"	64 ¼" x 100 ¼"			
120" length	2412	27" x 123"	28 ¼" x 124 ¼"	3612	39" x 123"	40 ¼" x 124 ¼"	4812	51" x 123"	52 ¼" x 124 ¼"	6012	63" x 123"	64 ¼" x 124 ¼"			

Options

LuxGuard
(Polycarbonate)

15-Year Warranty - including
hail breakage up to 2"

IMA
Impact Modified Acrylic

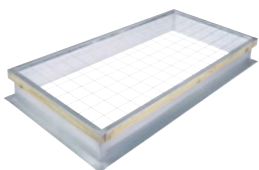
5-Year Warranty

LuxGuard Plus
(Polycarbonate)

15-Year Warranty - including
hail breakage up to 2"

Custom sized traditional domes are also available in sizes up to 102" x 150".

Curbs for Dynamic Dome

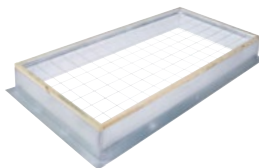


Curb: CCA6

Insulation: Field Insulated – Single Wall

Material: Galvanized Steel

Height Options: 9", 12", 16", 18"



Curb: CCA3

Insulation: Factory Insulated – Double Wall

Material: Galvanized Steel

Height Options: 9", 12", 16", 18"



Curb: CCAM/CCAW

Insulation: Factory Insulated – Double Wall

Material: Aluminum

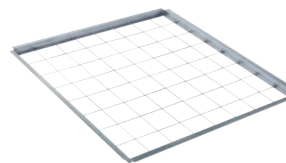
Height Options: 9", 12", 16"

Fall Protection for Dynamic Dome



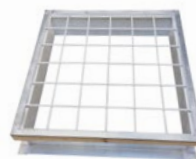
Exterior safety screen

CAE



Interior safety screen

CRGA ICD



Interior security bars

CRGA BB/SB

8" o.c. both directions (BB)
5" o.c. one direction (SB)

The safety of others is of the utmost importance to VELUX. In addition to selecting the correct skylight for the application, VELUX recommends that the customer consider protecting all skylight openings and skylights with one or more of the fall protection accessories. VELUX recommends that the building owner or manager restrict roof access only to personnel who have been sufficiently cautioned as to the location of the skylights, and warned not to sit, step or walk on the skylights. Building owner or manager should provide fall protection around the skylight in accordance with OSHA regulations.



Questions? Contact Logistics Lighting - Sales@LogisticsLighting.com or 307-633-9696 - Toll-Free 844-455-7283