

Drawing Date: 5/1/25

REV: 001

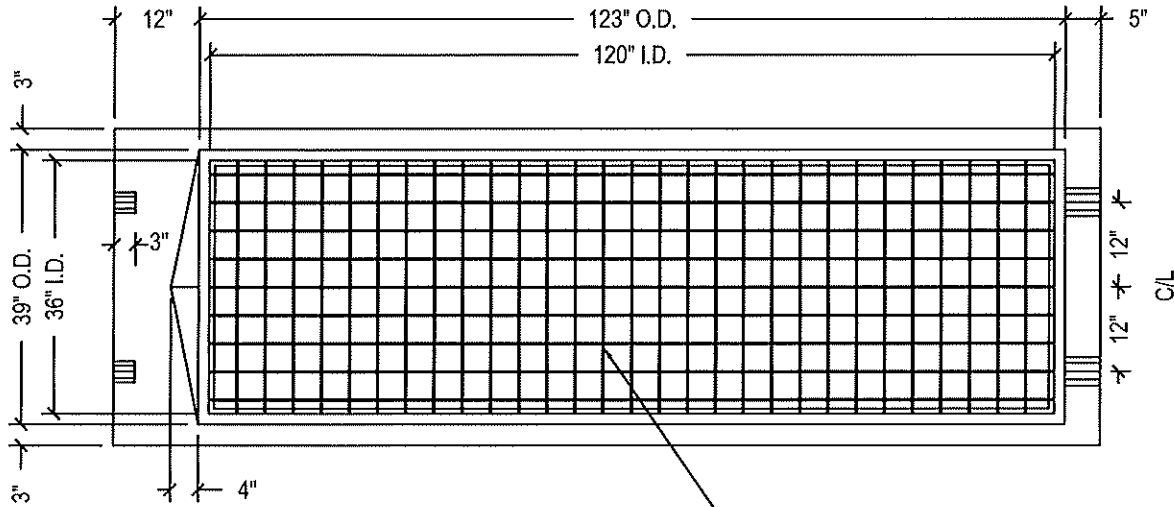
Approved By:

Please review and then sign and date this page indicating your approval that the details are accurate and you would like to proceed with this order. Once received, the product(s) will be scheduled for production. All orders are non-cancelable, non-refundable and non-returnable

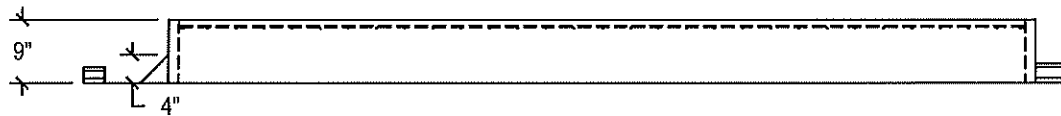
NOTE:

STANDARD FEATURES:

1. 18ga Galvanized Construction
2. Corners Mitered and Welded Watertight.
3. Curbs Prime Painted after Fabrication.
4. 4x4 Water Cricket.
5. 9" Minimum Height,
6. Internal Angle Reinforcing
7. 18ga Liners
8. Weld-on SSR-Clips
9. 1 1/2" Thick, 3# Density Fiberglass Insulation.



3/16"x 4"x 4" O.C. SCREEN MESH  
FACTORY INSTALLED  
(6"x6" OR 5" O.C. BURGLAR BARS  
OPTIONAL)



FLAT, NO SLOPE

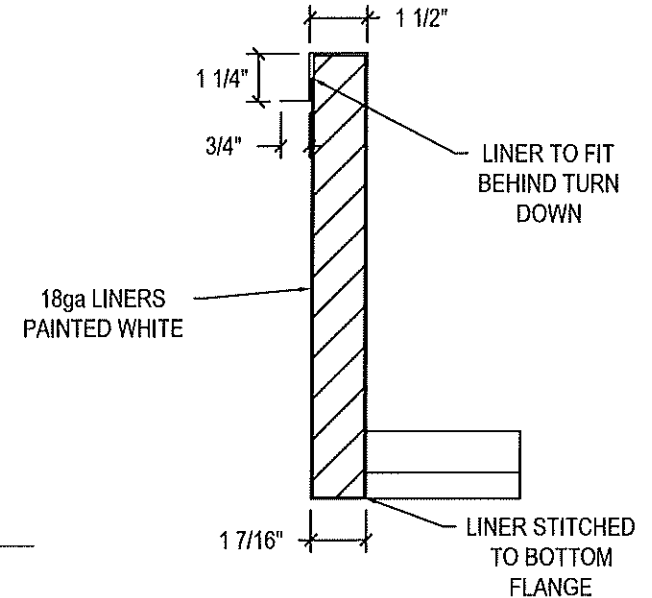
CLIPS TO MATCH  
THIS ROOF PANEL TBD SSR \_\_\_\_\_

Number of Over Clips Per Curb 2

Number of Over Clips Per Curb 2

NOTE: WELD ON CLIPS

The above curb requires sealant to be applied to cricket/ water-diverter.  
Quote excludes the sealant. Contractor to furnish and apply in field.  
Structural Support for curbs are excluded. Fasteners to attach curb to roof are excluded.



QTY.:92

PROJECT NAME:

CITY, STATE:

CUSTOMER:

JOB NUMBER:

TAG:

**CURBS PLUS, INC.**

**CPM-3 METAL BLDG.**

Approved By: \_\_\_\_\_ Date: \_\_\_\_\_

Note: Design subject to change without notice.

File Name: 123.0 X 39.0 - 9.0 HEIGHT - NO SLOPE w LINERS - 4X4 SCREEN - SSR CLIPS

©2003 Curbs Plus, Inc.