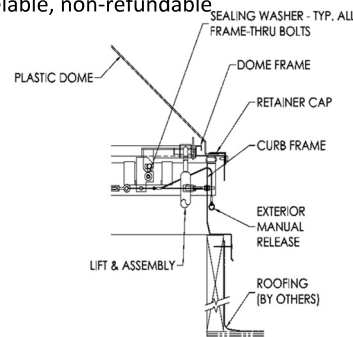
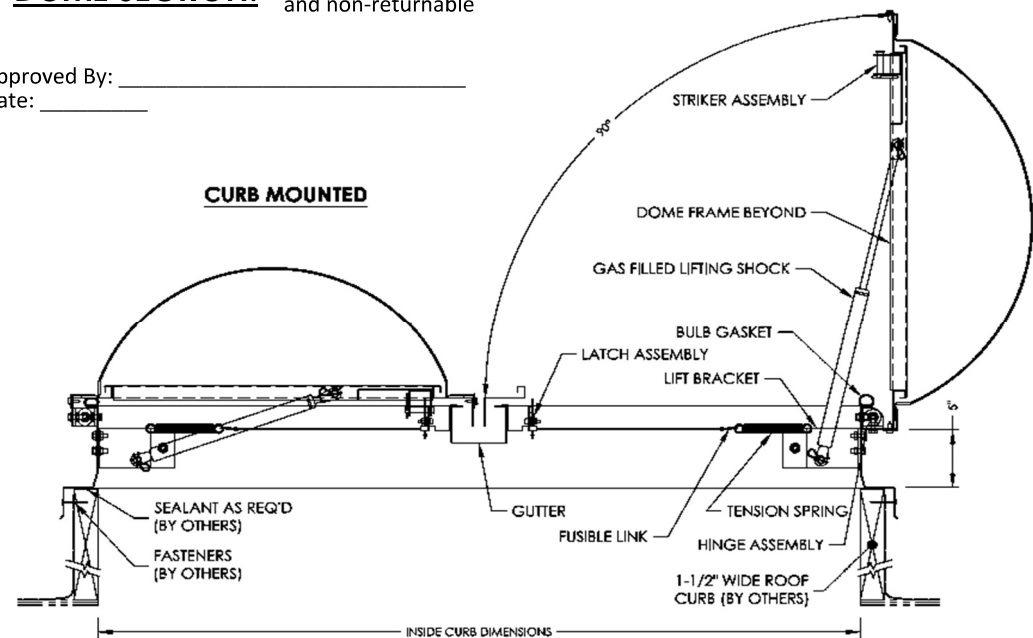


ULSV Smoke Vents

DOME SECTION:

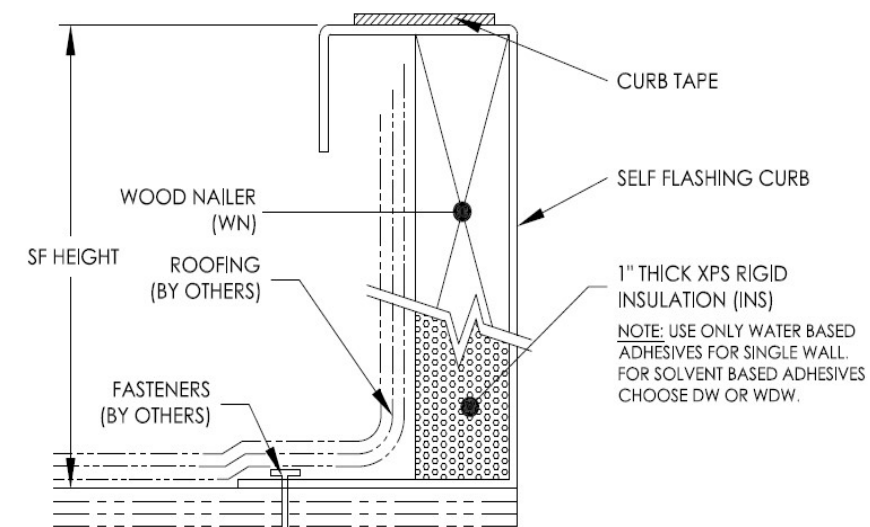
Please review and then sign and date this page indicating your approval that the details are accurate and you would like to proceed with this order. Once received, the product(s) will be scheduled for production. All orders are non-cancelable, non-refundable and non-returnable.

Approved By: _____
Date: _____

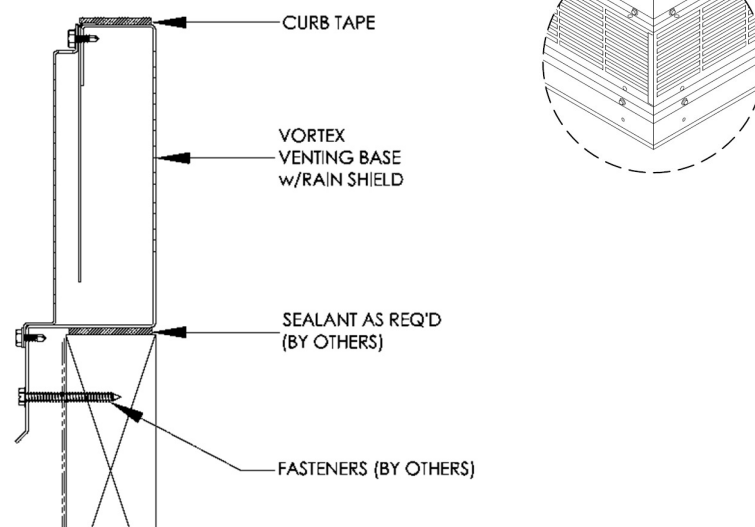


Size	Inside Curb Dims.	Outside Curb Dims.	Inside Frame Dims.
4848	48" x 48"	51" x 51"	52-1/4" x 52-1/4"
4872	48" x 72"	51" x 75"	52-1/4" x 76-1/4"
4896	48" x 96"	51" x 99"	52-1/4" x 100-1/4"
6072	60" x 72"	63" x 75"	64-1/4" x 76-1/4"

SELF-FLASHING BASE:



VORTEX BASE (STEEL ONLY):



GENERAL NOTES:

1. Materials shown on this drawing may not be readily available in all sizes.
2. Specification values may vary based on size and/or type of smoke vent.
3. Care should be taken when gathering site information for roof openings.
4. Warranty is standard ten (10) years from the date of purchase, exceptions do apply. See full 10-year warranty document for more details.
5. The owner must take steps to protect personnel who may be in the area of the smoke vents. The owner should restrict access only to authorized personnel who have been adequately cautioned as to the location of the smoke vents and informed of the warnings. Because there is a risk of fall and resulting personal injury, we recommend protective guardrails, internal safety screens around all smoke vents, as well use of fall restraint systems. We also recommend that smoke vents are inspected annually for evidence of damage, such as cracks or penetrations. Any damage should be repaired immediately, and the area beneath the smoke vent should be safeguarded against falling objects.

SELECTIONS:

SIZE:

- 4848 4872
 4896 6072

FRAME MATERIAL:

- Aluminum (A-ULSV) Galvanized Steel (S-ULSV)

MOUNT:

- Curb Mount (CM) Curb Mount w/Tape (CMT)
 Self-Flashing (SF)

DOME:

Outer Dome:

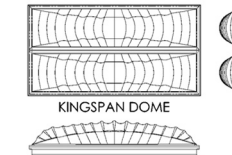
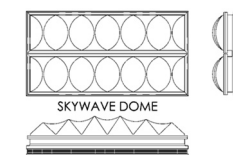
- Clear Monolithic Polycarbonate (CPC)
 White Monolithic Polycarbonate (WPC)

Inner Dome:

- Clear Prismatic Polycarbonate (CPP)
 White Prismatic Polycarbonate (WPP)

SHAPE:

- Skywave KAT (not available in 4872)



FUSIBLE LINK TEMPERATURE:

- 165 212 286
 370 520 Other

FINISH:

- Mill (MF)

VORTEX BASE: (Steel only, 4848 & 4896 only)

- Yes No

SELF-FLASHING OPTIONS:

- Height **N/A**
 Insulation (INS) Wood Nailer (WN)
 Double Wall (DW) Welded Double Wall (WDW)

MODEL STRING: 4896-A-ULSV-CT-2-CPC/WPP-S/S-370-MF



QUOTE #: 20328830

QUANTITY: 612

APPROVED BY:

APPROVED DATE:

CUSTOMER: LOGISTICS LIGHTING

PROJECT:

