

SKYLIGHT INSTALLATION INSTRUCTIONS



There's no greater efficiency than off!®

DELIVER TO END USER AFTER INSTALLATION IS COMPLETED

IMPORTANT SAFETY INSTRUCTIONS

READ AND FOLLOW ALL SAFETY INSTRUCTIONS! SAVE THESE INSTRUCTIONS AND DELIVER TO OWNER AFTER INSTALLATION

- To reduce the risk of death, personal injury or property damage from fire, electric shock, falling parts, cuts/abrasions, and other hazards please read all warnings and instructions included with and on the fixture box and all fixture labels.
- Before installing, servicing, or performing routine maintenance upon this equipment, follow these general precautions.
- Installation and service of luminaires should be performed by a **qualified licensed electrician**.
- Maintenance of the skylights should be performed by person(s) familiar with the skylights' construction and operation and any hazards involved. Regular fixture maintenance programs are recommended.
- It will occasionally be necessary to clean the outside of the lens. Frequency of cleaning will depend on ambient dirt level and minimum light output which is acceptable to user. The lens should be washed in a solution of warm water and any mild, non-abrasive household detergent; rinsed with clean water; and, wiped dry.
- **DO NOT INSTALL DAMAGED PRODUCT!** This EZY Curb™ system has been properly packed so that no parts should have been damaged during transit. Inspect to confirm. Any part damaged or broken during or after assembly should be replaced.
- These instructions do not purport to cover all details or variations in equipment nor to provide every possible contingency to meet in connection with installation, operation, or maintenance. Should further information be desired, or should particular problems arise which are not covered sufficiently for the purchaser's or owner's purposes, this matter should be referred to Acuity Brands Lighting, Inc.



CAUTION RISK OF INJURY

- ✓ Wear gloves and safety glasses at all times when removing luminaire from carton, installing, servicing or performing maintenance.
- ✓ Avoid direct eye exposure to the light source while it is on.



WARNING – Read the entire installation manual, along with the following warnings, prior to proceeding with the installation of the unit.

Please contact an Acuity Brands Lighting Inc. representative with regards to the use of materials or methods, which are not specified in this manual, or authorized by Sunoptics®.

Acuity Brands Lighting Inc. (seller) assumes no responsibility or obligation whatsoever for the failure of an installer, contractor, architect or building owner to comply with all applicable laws, ordinances, building codes, electrical codes, energy codes, fire and safety codes and requirements, roof warranties and adequate safety precautions.

The installation of the EZY Curb™ system should be done by at least 2 people. The second person should be close enough to come to your aid, if necessary.

Warnings continued on next page...



INSTALLATION TO BE DONE AT YOUR OWN RISK!

GENERAL SAFETY

Acuity Brands Lighting, Inc. product installations may be dangerous and include the potential for death, personal injury and property damage. Some of the hazardous conditions include, but are not limited to, the following:

- Installation will require working at dangerous heights. When working on ladders, scaffolding, on roofs and in attic spaces, use extreme caution to minimize risks, property damage, personal injury, or death. Use the following procedures, as well as other measures, as examples to reducing risk:
 - Clearing the area(s) below the working space or objects, animals and people.
 - Use proper footwear. Using footwear with excellent traction is recommended.
 - Avoid working on slippery, or wet, surfaces.
 - Supports such as ladders and scaffolding should be well supported and strong.
 - Install the product during calm and dry weather.
- Use basic safety procedures when working with electric tools. Use suitable eye protection, such as safety goggles, and clear the work area of potential hazards.

ROOFING

- If the Sunoptics EZYSA unit must be removed from the roof, due to re-roofing, please contact your Sunoptics representative for information on disassembly and care of the unit.

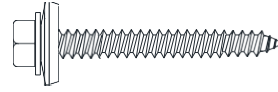
Please see product specific installation instructions for additional warnings or any applicable FCC or other regulatory statements.

Failure to follow any of these instructions could void product warranties.

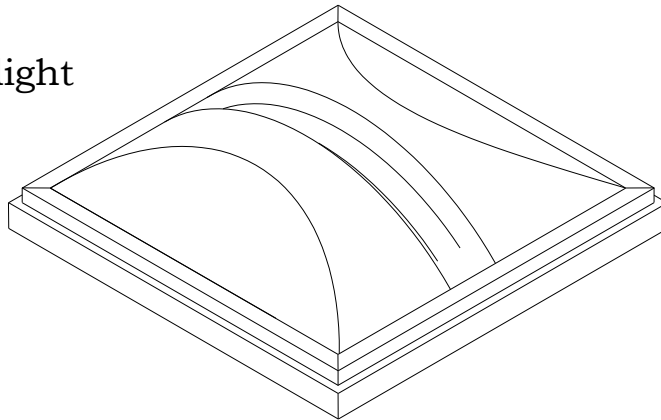
SKYLIGHT INSTALLATION INSTRUCTIONS

Parts List

- #12 x 1-1/2" Hex Washer Head Screw
(1 per installation hole)



- Sunoptics Fixed Skylight



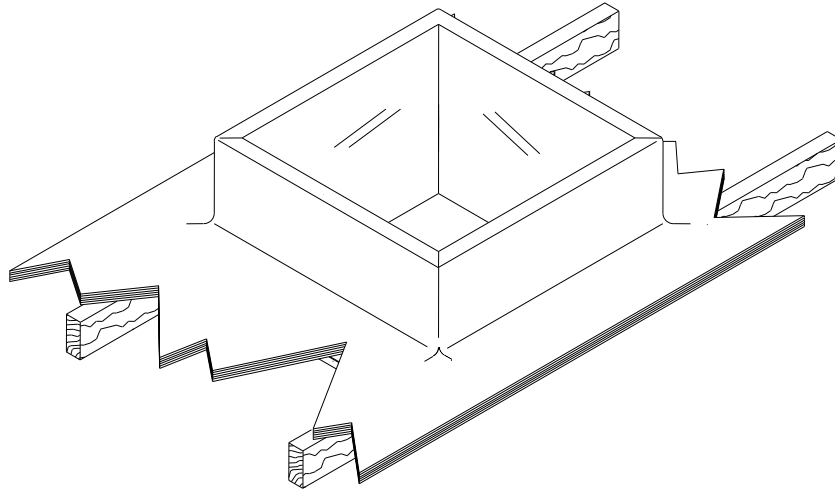
Thank You for Purchasing our High Performance Prismatic Daylighting System

1. **Caution:** Handle Unit with Care. Ensure the inside of the unit is clear of debris throughout the installation process.
2. Verify above materials are on site, are inspected for any shipping damage that may have occurred and available for installation. **Do not install if damaged!** If Skylights are damaged, please contact your sales representative.
3. Consult your engineer or roofing professional for structural support needs based on local building codes and roofing system product to be installed in.
4. Be sure to follow all jobsite safety protocols.
5. Prior to final installation, properly elevate the units from flat surfaces to prevent heat build-up or excessive internal temperatures under the domes.
6. Installation should be performed by a qualified contractor.
7. Install per all instructions and applicable codes.

SKYLIGHT INSTALLATION INSTRUCTIONS

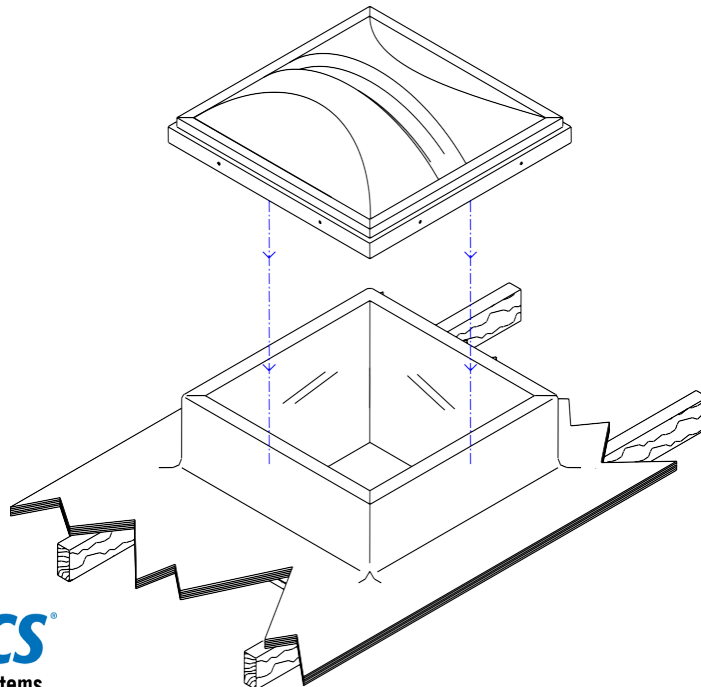
Step 1

Ensure that skylight curb is of required dimension, square and properly flashed based off cut sheet dimensions. Curb top should be level with a minimum of 1" width for a proper seal. There must also be enough structural material in the curb wall to support the install screws noted in the final step. If the skylight is being installed in a retrofit application, ensure the old skylight is completely removed including any lower framework.



Step 2

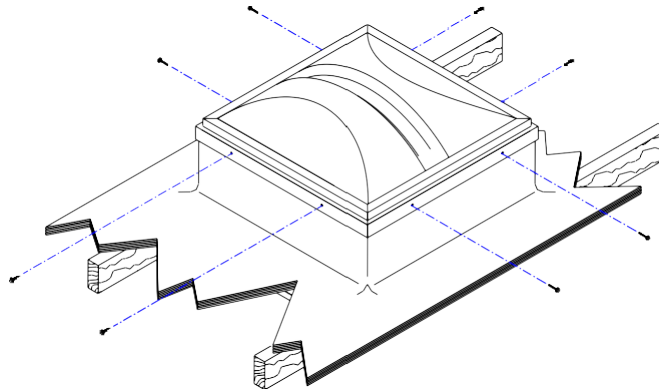
Set skylight over prepared curb making sure there is equal clearance (1/2" nominal) on all four sides. Handle skylight with care. Do not hit the frame with a hammer to fit. Frame should fit over curb without force. Caulking the top of the curb, for an air seal, is not required with Sunoptics Skylights. All double and triple glazed skylights are supplied with an air seal curb tape that is pre-mounted to the underside of the skylight.



SKYLIGHT INSTALLATION INSTRUCTIONS

Final Step

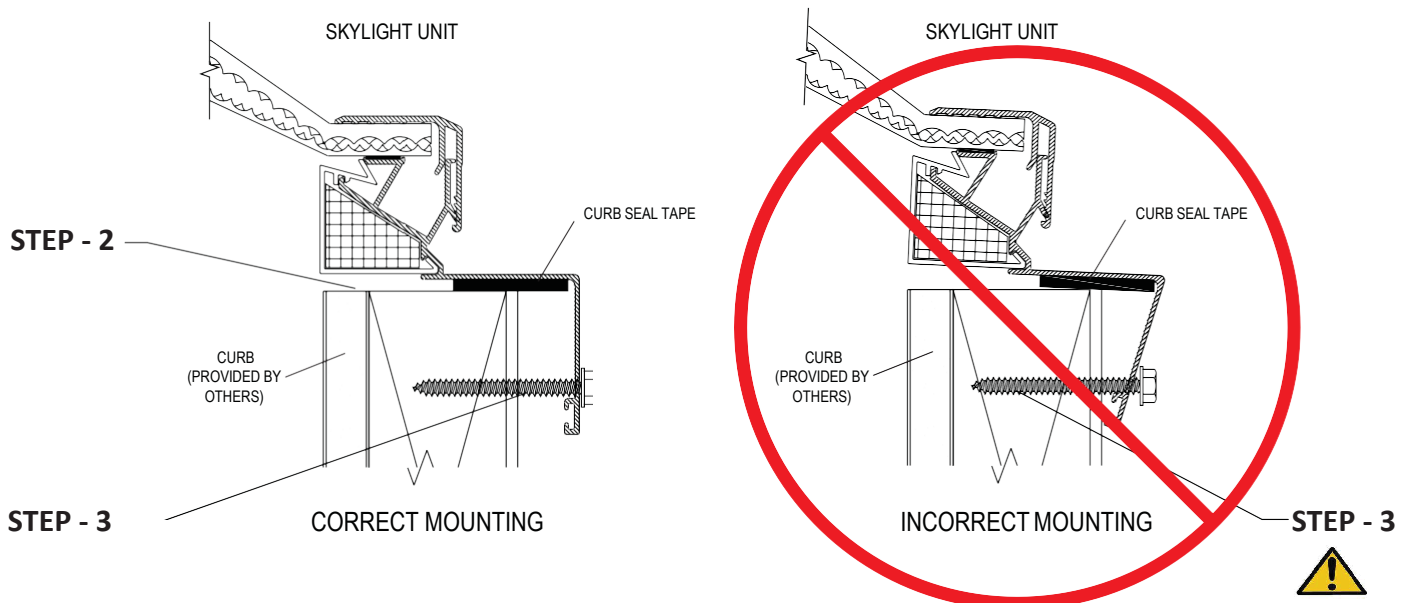
Attach Skylight with provided Screws.



NOTE: When securing the Skylight to the curb, run the screws just snug to the Skylight Flange. Overtightening will distort the frame. This in turn may create forces which could crack the Skylight Lenses or, force the lens to pull out of the frame. Overtightening may void the warranty. **(SEE BELOW)**

Details Not To Scale

800MD Frame Shown. Installation instructions are similar for all Sunoptics curb mounted Skylights.



Installer Notes