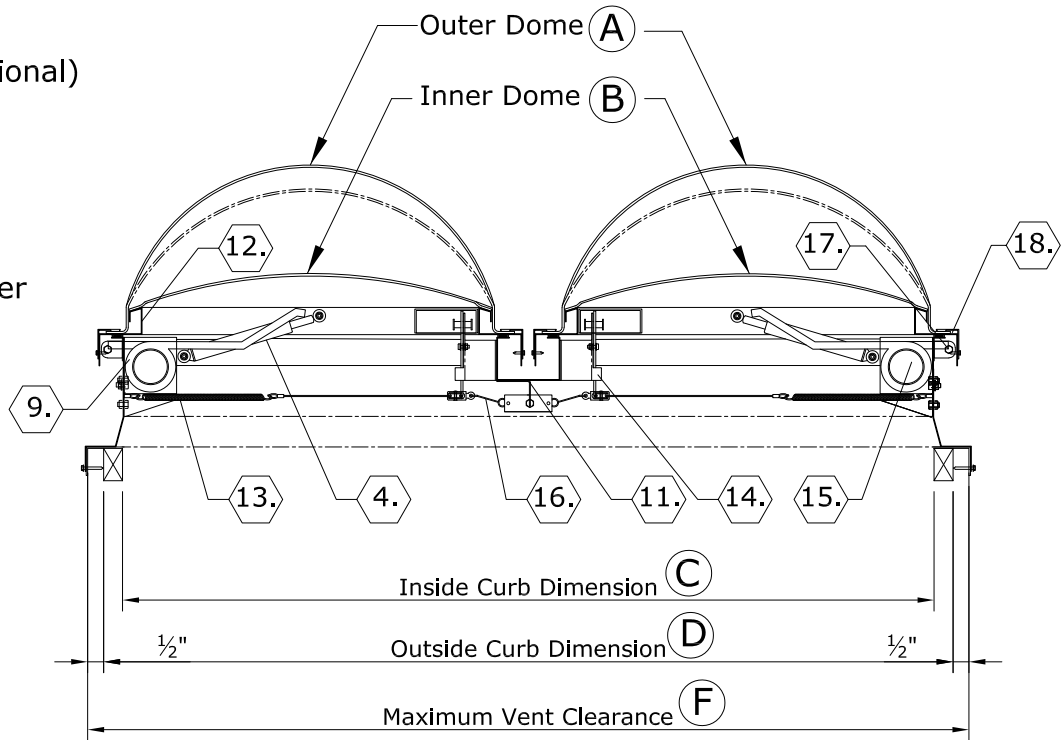
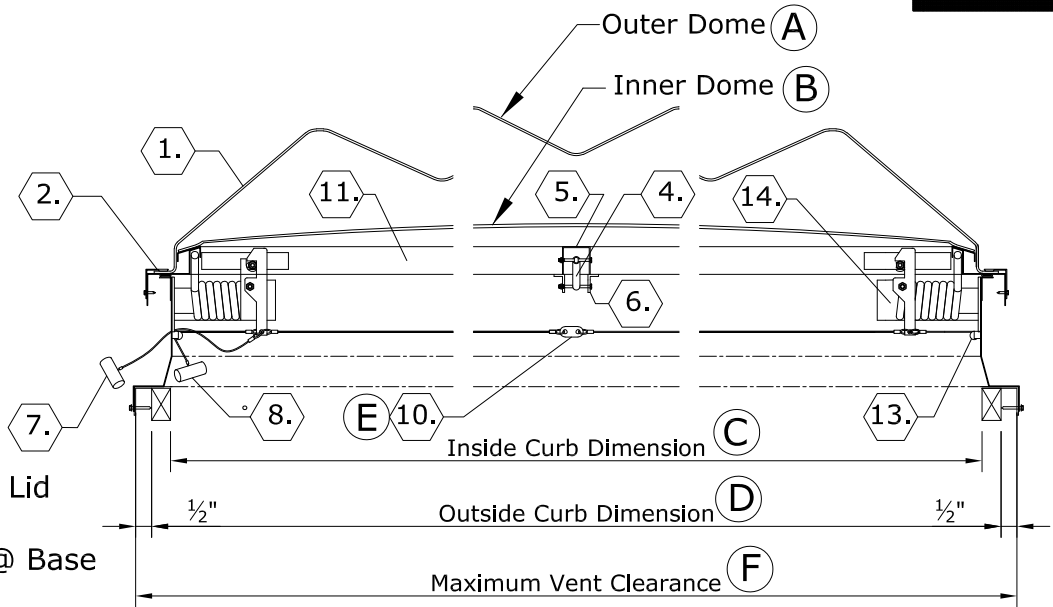


ULSV2DCM DOUBLE DOME SMOKE VENT

VELUX

Commercial

- 1. Double Glazed
- 2. Galv. Steel Dome Frame
- 3. Dual Wall
- 4. Shock Absorber
- 5. Shock Channel Bracket @ Lid
- 6. Galv. Stl. Shock Bracket @ Base
- 7. Exterior Manual Release
- 8. Interior Manual Release (Optional)
- 9. Spring
- 10. Fusible Link
- 11. Galv. Steel Mid Channel Gutter
- 12. EPDM Gasket
- 13. Tension Spring
- 14. Latch Assembly
- 15. Galv. Steel Bracket
- 16. Pulley
- 17. Hinge Assembly
- 18. Galv. Steel Self Flashing Frame



Note: Vent covers open with internal and external manual pull handles.

Roof Pitch 0-60 Degrees

Skylight Details & Measurements

- (A) Outer Dome Clear polycarbonate, 0.118-in thickness
- (B) Inner Dome White acrylic, 0.118-in thickness
- (C) Inside Curb Dimension 48 in x 96 in
- (D) Outside Curb Dimension 51 in x 99 in
- (E) Fusible Link Temperature 370F
- (F) Maximum Vent Clearance 52 in x 100 in

Smoke Vent UL Listed

Material # ULSV2DCM 4896S3F



Please review and then sign and date this page indicating your approval that the details are accurate and you would like to proceed with this order. Once received, the product(s) will be scheduled for production. All orders are non-cancelable, non-refundable and non-returnable

QTY:

LL#

Project Location:

Approved By: _____ Date: _____